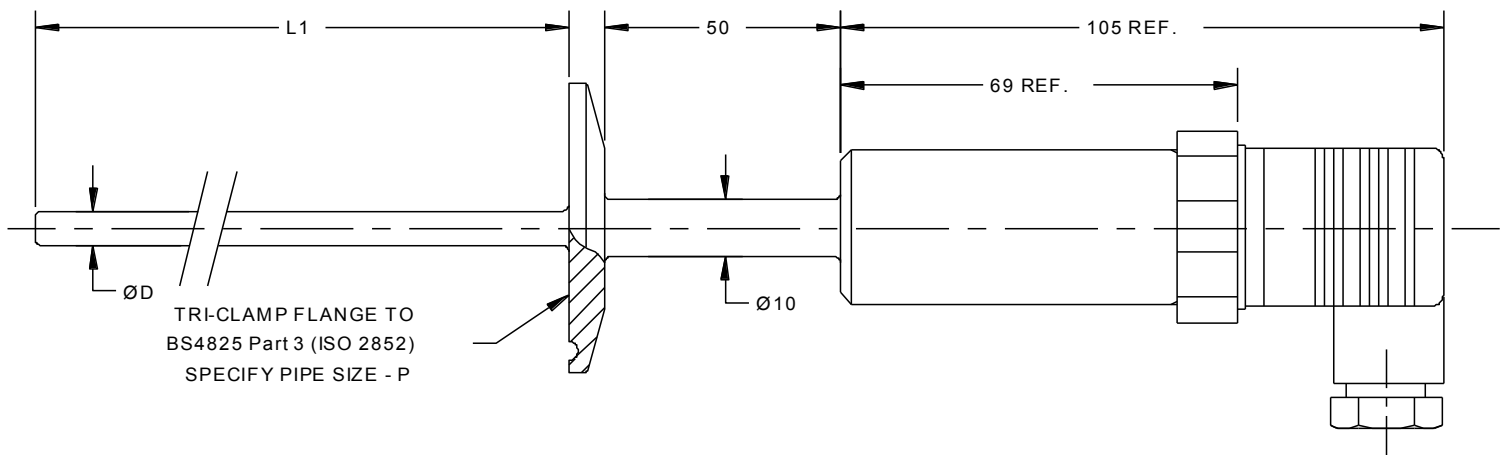
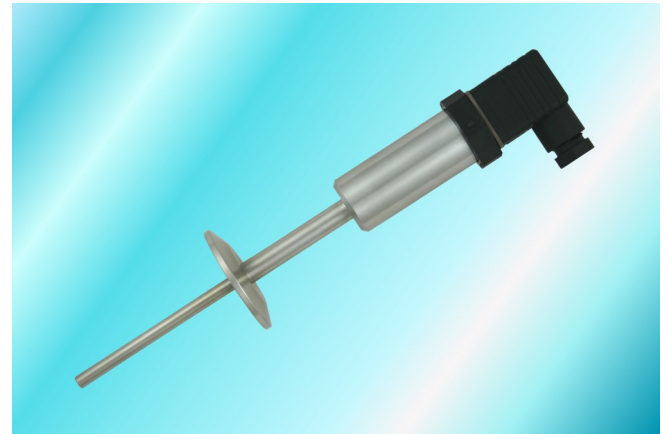


# PPL23-TX

Compact Temperature Transmitter  
with Standard Sanitary Hygienic Connection

- Compact Temperature Transmitter with Standard Sanitary Hygienic Connection
- Tri-Clamp, RJT and IDF
- Lagging Extension allows Sensor to operate up to 250C
- 4-20mA Output
- Clean Simple Design
- Ideal for use in Food, Beverage & Dairy Industries
- Choice of Stainless Steel Sheath & Body Sizes
- IP65 or IP67 Connector Options
- UKAS or Traceable Calibration Available



Specifications	
<b>Sensor Type</b>	Platinum Resistance Thermometer—Pt100, 3 wire
<b>Output</b>	4-20mA, 2 wire
<b>Power Supply</b>	10-30V d.c. Loop Powered
<b>Sensor Tolerance Band</b>	Class B, Class A, 1/3 DIN, 1/5 DIN or 1/10 DIN
<b>Operating Range of Sensor</b>	-50 to +250°C
<b>Ambient Temperature</b>	0 to +70°C
<b>Accuracy</b>	±0.25%
<b>Sheath Material</b>	316 stainless steel
<b>Connector</b>	A—DIN43650 IP65 (as shown in photo) B—M12 IP67

### Process Parameters Ltd

Unit 10A, Waldeck House, Waldeck Road, Maidenhead, Berkshire, SL6 8BR

Tel: 01628 778688

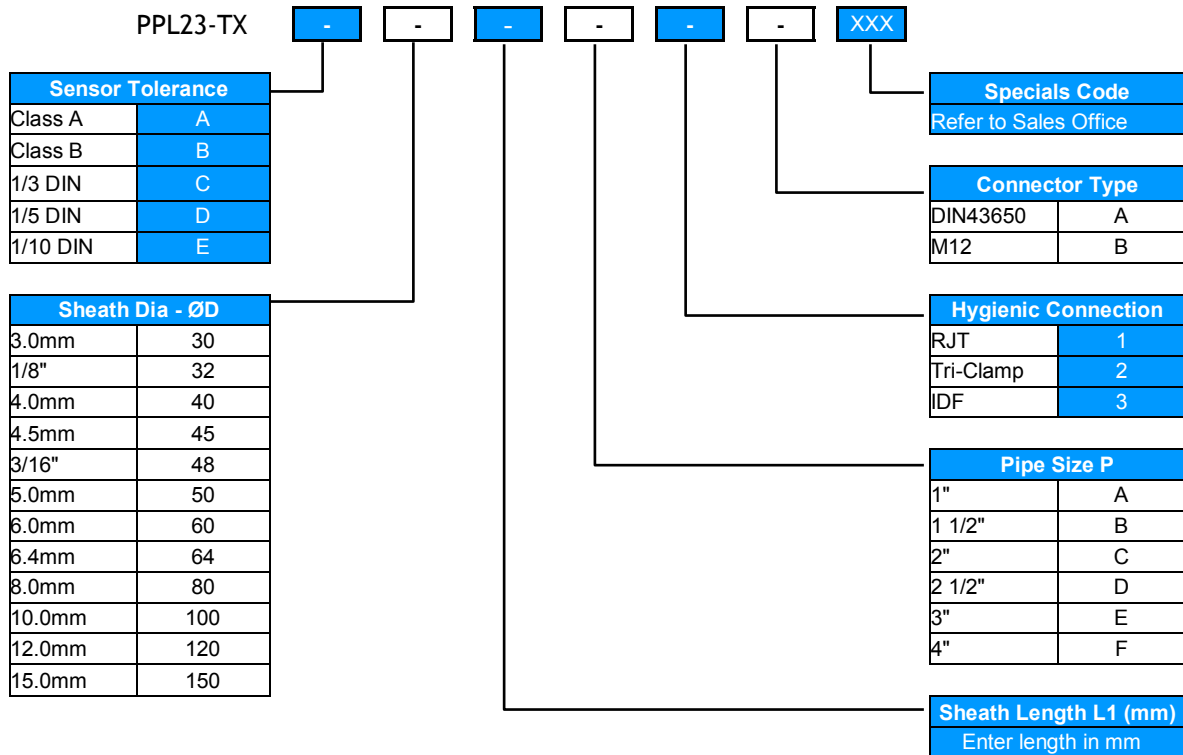
Fax: 01628 777714

Email: sales@processparameters.co.uk

Web: www.processparameters.co.uk

# PPL23-TX

Compact Temperature Transmitter  
with Standard Sanitary Hygienic Connection



## Options and Accessories



### PPL1000 Plug In Display

Our PPL1000 display fits in between the transmitter and the plug and provides the user with a clear LED local display without affecting the 4-20mA output and it also maintains the IP65 rating for the connector. No separate power supply is needed as the unit draws its power from the signal loop. All of our PPL20 series are compatible with the display when specified with the DIN43650 connector option.



### Mating Connectors and Extension Cables

We have teamed up with one of the leading manufacturers of M12 connector products to bring you an extensive range suitable for use with our PPL20 series of transmitters. Many options are available including straight and right angled; screwed or quarter turn quick connect; IP67 or IP69K and with cables manufactured using food industry approved materials. Ask for more details when we quote your transmitter.

This data sheet gives details of the most popular options available for this type of sensor but is not intended to give an exhaustive list of possibilities. If you have a special requirement please do not hesitate to contact our sales office for assistance.

### More accessories for your sensor...



Compression Fittings



Pockets / Thermowells



Extension Cables

## Process Parameters Ltd

Unit 10A, Waldeck House, Waldeck Road, Maidenhead, Berkshire, SL6 8BR

Tel: 01628 778688

Fax: 01628 777714

Email: sales@processparameters.co.uk

Web: www.processparameters.co.uk