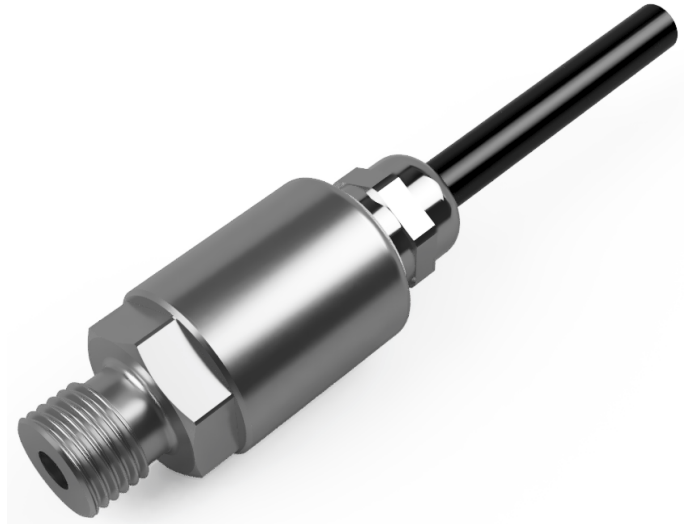




Titan Series

Model: TPTd

Digital Pressure Transmitter



Description:

The Titan TPT series of pressure transducers have been developed using a Ceramic (96% Aluminium Oxide Al₂O₃) piezo-resistive sensing element housed in a robust stainless steel housing. It has the option of an integrated Cable outlet or an M12 x 1, 4-Pin connector both offering up to IP67* ingress protection.

The internal PCB incorporates a versatile microprocessor enabling a range of digital communications including i2c and SPi from a 2.7 - 5.5V dc supply.

Product Highlights:

- Pressure ranges from 0.5 up to 600 bar
- Accuracy $\pm 0.25\%$ / $\pm 0.10\%$
- Ceramic sensor, high corrosion resistance
- I2c and SPi supported
- Low power consumption
- Naturally high frequency response from 1kHz up to 75kHz
- Choice of mechanical connections
- Cost effective for OEM solutions

Applications include, but not limited to:

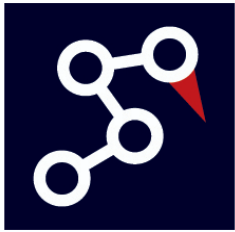
- OEM installations
- Laboratory & Research testing
- Medical testing / prototyping
- Pressure surge detection
- Data loggers
- Automotive component testing
- Academic research



STORK SOLUTIONS

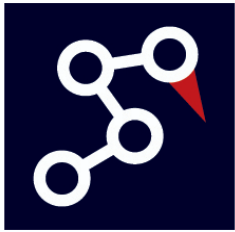
Specification:

Titan Pressure Transmitter - TPTd		
Sensor technology	Piezo-resistive	
Communications	I2c, SPi	
Supply voltage	2.7 - 5.5V dc	
Pressure reference	Gauge (standard), Sealed Gauge, Absolute	
Pressure ranges	0.5, 1, 2, 5, 10, 20, 50, 100, 200, 400, 600 Bar	
Safe over pressure	1.5 times rated pressure	
Burst Pressure	3 times rated pressure	
Accuracy (NL&H)	≤ ±0.35 % / ≤ ±0.25 % / ≤ ±0.10 % FS	
Response Time	Various Options, Consult Sales	
Ambient temperature	-20 °C to +85 °C	
Media temperature	-40 °C to +125 °C	
Storage temperature	-20 °C to +80 °C	
Temperature effects	Typical thermal zero and span coefficients, TZS: ±0.02 %FS/°C, TSS: <-0.015 %/°C	
Media wetted parts	303 Stainless Steel, Al ₂ O ₃ , Viton	
Permissible media	All fluids compatible with media wetted parts	
Electrical connection	M12 x 1, 4-pin male connector (mating cable sold separately) Cable Outlet with 0.25m screened PVC cable	
Pressure connection	G ¹ / ₄ " DIN 3852 male & female, 1/4" NPT male, 7/16-20 UNF-2A male SAE#4 J514	
Environmental Protection	M12 connector	Gauge reference ≤ 50 bar: IP65 Absolute, Sealed Gauge reference or > 50 bar range: IP67
	Cable Outlet	IP65



Dimensional Drawings:

M12 Connector	Cable Outlet
<p>M12 Connector</p> <p>M12 Connector</p> <p>56.00 nom</p> <p>45.00 nom</p> <p>8.00</p> <p>$\phi 22.0$</p> <p>18.0 A/F</p> <p>G1/4 Male</p> <p>12.00</p>	<p>Cable, nominal 4.40 (to Customer Length)</p> <p>IP65 Gland Nickel Plate Gland</p> <p>65.00 nom</p> <p>45.00 nom</p> <p>8.00</p> <p>$\phi 22.0$</p> <p>18.0 A/F</p> <p>G1/4 Male</p> <p>12.00</p>



STORK SOLUTIONS

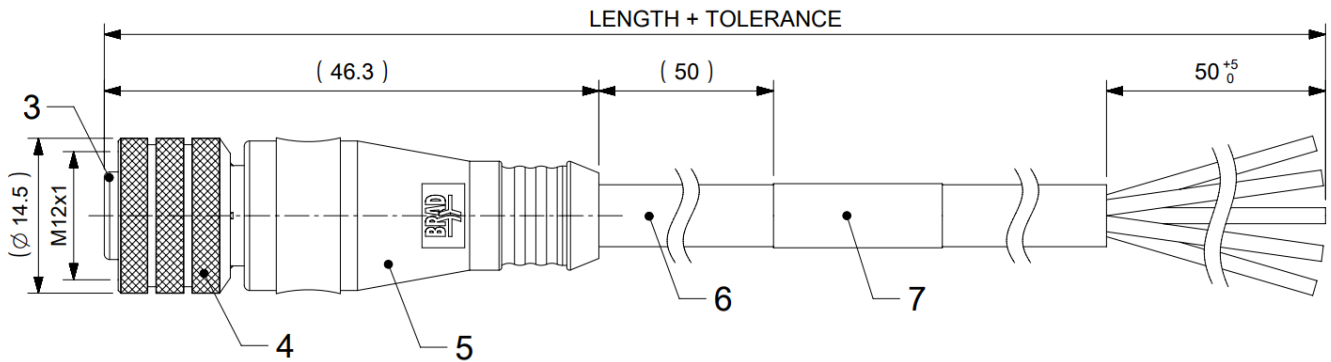
Part Numbering system

TPTd - Titan Pressure Transmitter	TPTd	-	X	X	-	X	X	-	X	X	-	X	X	X	X	X	-	X	X
Output Type																			
i2c				A															
SPi				B															
Accuracy Class																			
0.35%				A															
0.25%				B															
0.10%				C															
Electrical Connection																			
Connector M12 x 1, 4-pin male				A															
Cable Outlet IP65				B															
Process Connection																			
G1/4" male DIN 3852										G									
G1/4" female DIN 3852										F									
1/4" NPT male										N									
7/16-20 UNF-2A male SAE#4 J514										U									
Housing Material																			
303 Stainless Steel										A									
316 Stainless Steel										B									
PVDF										C									
Seal Material																			
Viton										V									
(Drinking Water Approved) EPDM										E									
NBR										N									
FFKM (Chemraz)										C									
Pressure Range																			
0.5 Bar												0	5	0	0				
1 Bar												1	0	0	0				
2 Bar												2	0	0	0				
5 Bar												5	0	0	0				
10 Bar												1	0	0	1				
20 Bar												2	0	0	1				
50 Bar												5	0	0	1				
100 Bar												1	0	0	2				
200 Bar												2	0	0	2				
400 Bar												4	0	0	2				
600 Bar												6	0	0	2				
72 Psi (example)												P	0	7	2				
5000 Psi (example)												P	5	K	0				
Pressure Datum																			
Gauge																			G
Sealed Gauge																			S
Absolute																			A
Special Options																			
None																			0 0

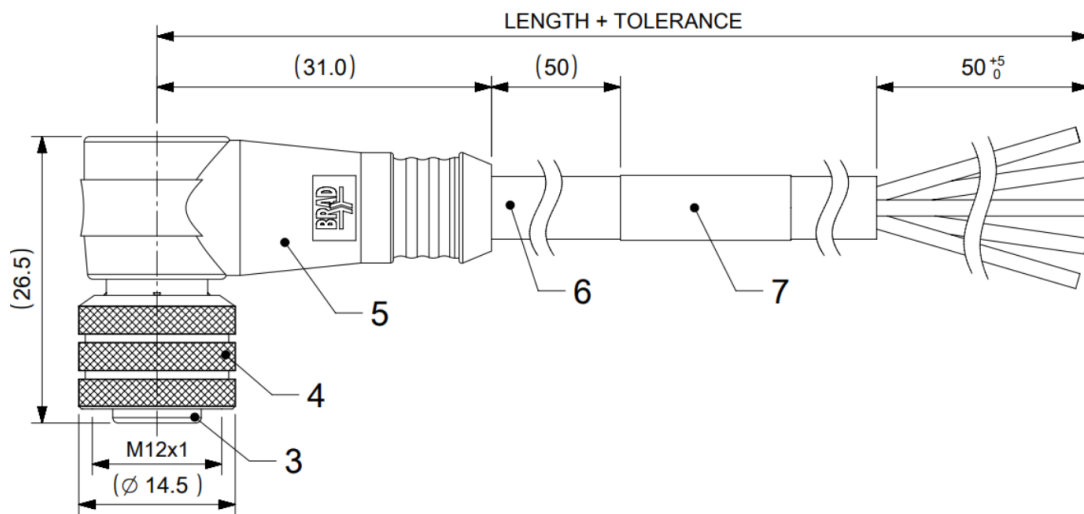


Accessories:

Mating M12 cable cordset - Straight



Mating M12 cable cordset - Right-Angled



Temperature Reducing Adaptor

